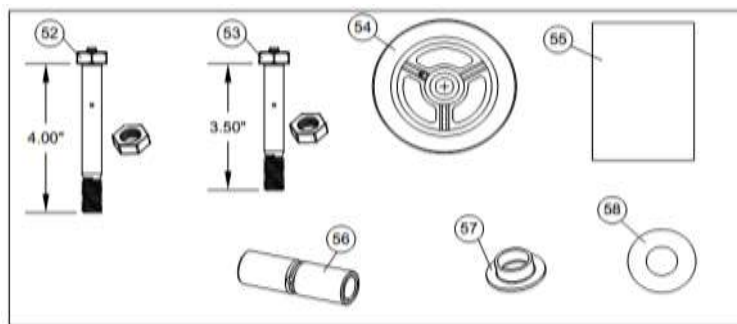
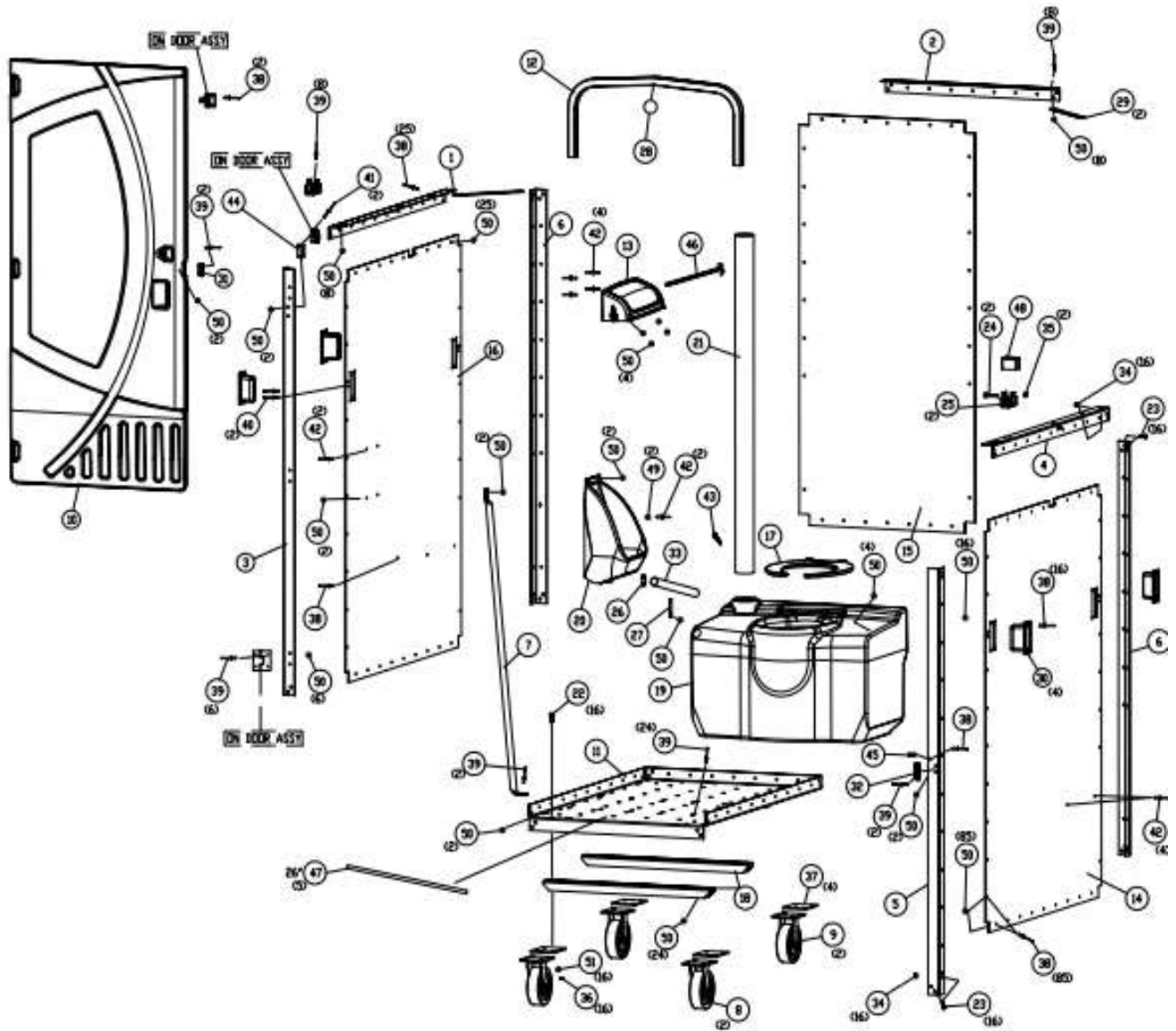


HIGHRISE™ MAJOR ASSEMBLY



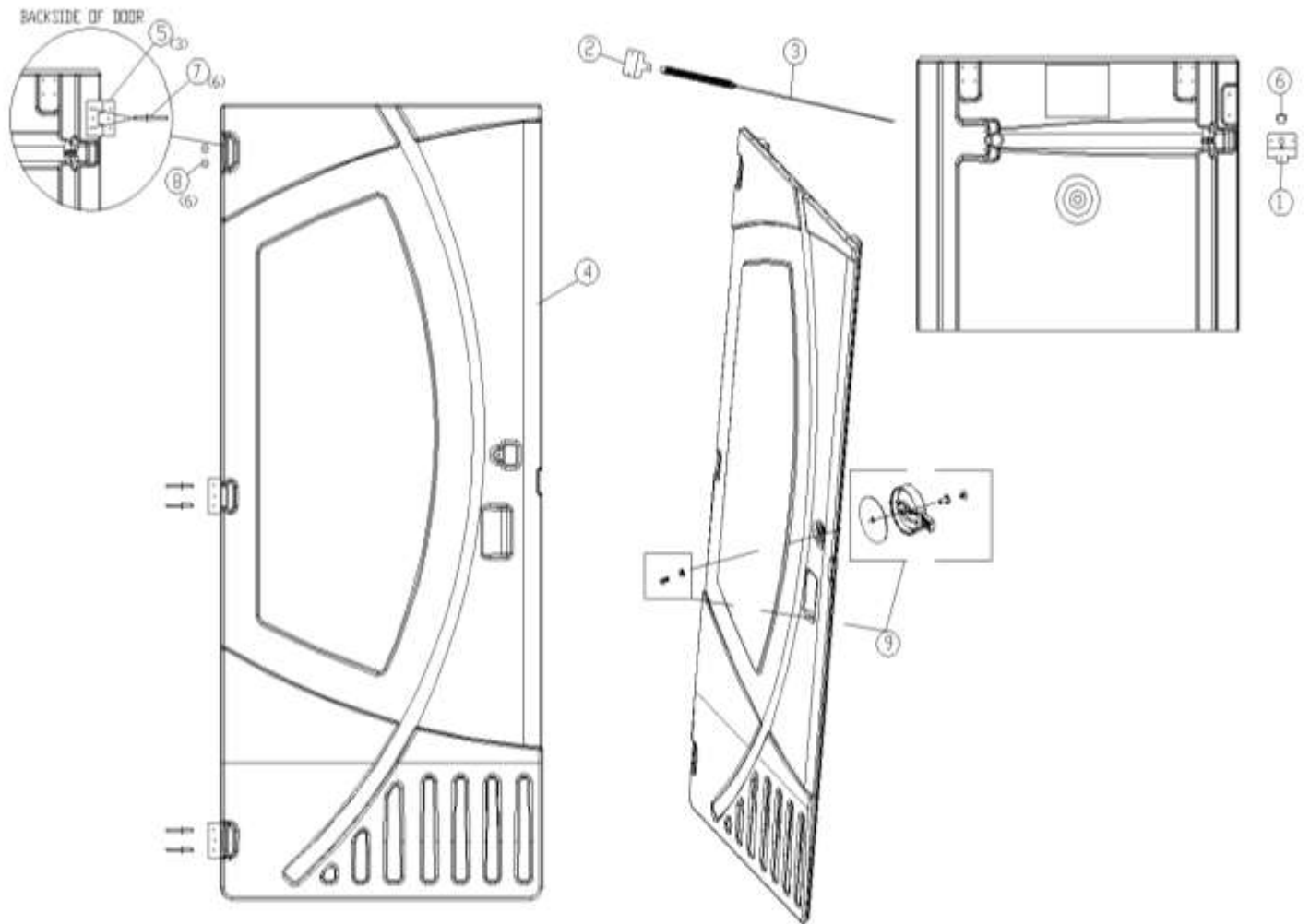
Visa / Mastercard / American Express / Discover
 \$25.00 Minimum Order — Prices and quantities subject to change / all prices are FOB FACTORY — Priced in U.S. Dollars
 20% minimum restocking charge applies on returns

HIGHRISE™ MAJOR ASSEMBLY

REV G ITEM #	PART#	QTY PER UNIT	DESCRIPTION	PRICE EACH
1	20798	1	ANGLE- 51-1/2 HOR HIGH RISE LH	
2	20799	1	ANGLE- 30 HORIZ HIGH RISE	
3	20800	1	ANGLE- 67 VERT HIGH RISE HINGE	
4	20849	1	ANGLE- 51-1/2 HOR HIGH RISE RH	
5	20850	1	ANGLE- 67 VERT HIGH RISE HASP	
6	20851	2	ANGLE- 67 VERT HIGH RISE REAR	
7	20808	1	BRACE- DOOR FRAME HIGH RISE	
8	20812	2	CASTER- 2 X 6 SWIVEL HIGH RISE (FRONT)	
9	20813	2	CASTER- 2 X 6 RIGID HIGH RISE (BACK)	
	22071	4	CASTER WHEEL- 2 X 6 HIGH RISE	
10	20803	1	DOOR ASSY- HIGH RISE PBLU	
11	20797	1	FLOOR- HIGH RISE	
12	20806	1	FRAME- PROP HIGH RISE	
	20848	1	HDWE- HIGH RISE	
13	17082	1	HOOD- PAPERGUARD 2 ROLL DGRY	
14	20801	1	PANEL- HIGH RISE SIDE RT PBLU	
15	20802	1	PANEL- HIGH RISE REAR PBLU	
16	20882	1	PANEL- HIGH RISE SIDE LT PBLU	
17	14959	1	SEAT- ELONG MX2/MX3/TRS/HT/GB BLK (OLD TANKS PRE-05-11)	
	19196	1	KIT- T/SEAT 2-12 BOLT/NUT SET	
18	20852	2	SUPPORT- HIGH RISE FLOOR	
19	20814	1	TANK- 38 GALLON HIGH RISE	
20	11999	1	URINAL- SPLASHGUARD GREY	
21	20816	1	VENT PIPE- 3 X 53-1/2 BLACK	
22*	21919	16	BOLT- 5/16-18 X 1 GR5 PLTD	
23*	17385	32	BOLT- 1/4-20 X 3/4 GRD5 PLTD	
24	17915	2	BOLT- 3/8-16 X 2 GRD8 PLTD	
25	20807	2	BRACKET- PROP FRAME HIGH RISE	
26	12588	1	CLAMP- WORMDRIVE #12	
27	20817	1	CLAMP- INSULATED HIGH RISE	
28	20916	1	DECAL- HIGH RISE DO NOT LIFT	
29	20809	2	GUSSET- HIGH RISE CORNER	
30	20810	4	HANDLE- POCKET HIGH RISE	
31	13197	1	HASP- 3/16 RIVET HOLE DOOR	
32	13199	1	HASP- 3/16 RIVET HOLE FACING	
33	13417	21	HOSE- 1in ID BULK COIL (Sold in Inch)	
34*	16307	32	NUT- 1/4-20 NYLOC STNLS	
35	20805	2	NUT- 3/8-16 NYLOC THIN	
36*	13131	16	NUT- 5/16 NYLOC	
37*	20811	4	PLATE- CASTER MOUNT HIGH RISE	
38*	11027	130	RIVET- #66 ALUM	
39*	11270	52	RIVET- #68 STNLS	
40	14351	2	RIVET- #610 CCP	
41*	10812	2	RIVET- #612 ALUM	
42*	11054	5	RIVET- #68 AAL POP	
43*	13860	1	SCREW- #14 X 1-1/2 W/WSH GOLD	
44*	20804	1	SPACER- CABLE ANCHOR BRACKET	
45	20620	1	SPACER- TM II URINAL ALUM	
46	16844	1	SPINDLE- PAPERGRD 2 ROLL METAL	
47	20919	130*	STRIP- 1in ANTISLIP	
48	20815	1	TUBE- HIGH RISE PROP LOCK	
49*	10068	2	WASHER- RUBBER 3/32 THK	
50*	11315	191	WASHER- 3/16 RIVET STNLS	
51*	11364	16	WASHER- 1/4 FLAT	
52	22433	1	CASTER- SWIVEL AXLE HIGH RISE	
53	22436	1	CASTER- RIGID AXLE HIGH RISE	
54	22071	1	CASTER WHEEL- 2 X 6 HIGH RISE	
55	22435	1	INSTR- HIGH RISE LUBE CASTERS	
56	22437	1	CASTER- AXLE BUSHING HIGH RISE	
57	22438	1	CASTER- AXLE TOP HAT HIGH RISE	
58	22439	2	CASTER- AXLE WASHER HIGH RISE	
	22440	1	KIT- SWIVEL CASTER AXLE HI/RIS	
	22441	1	KIT- RIGID CASTER AXLE HI/RIS	
	17168	1	KIT- MX3 LATCH REPLACEMENT	

* ONLY SOLD IN MULTIPLES OF 100

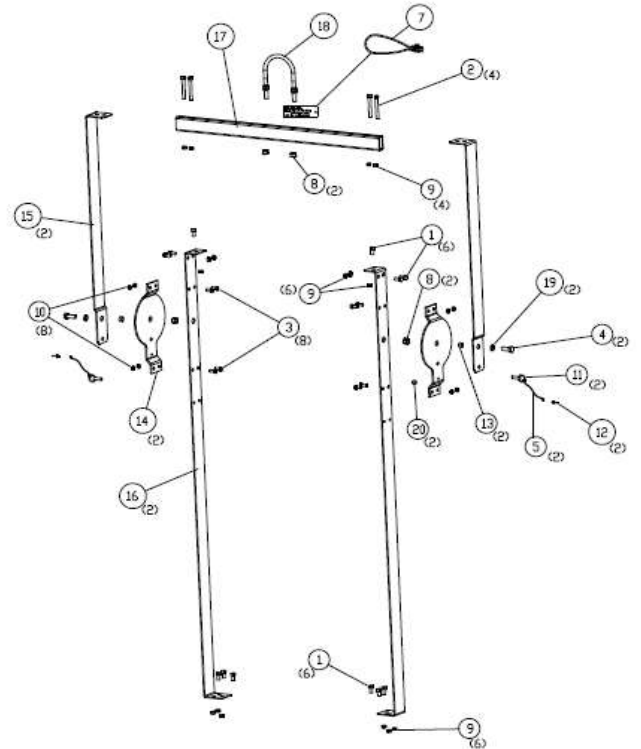
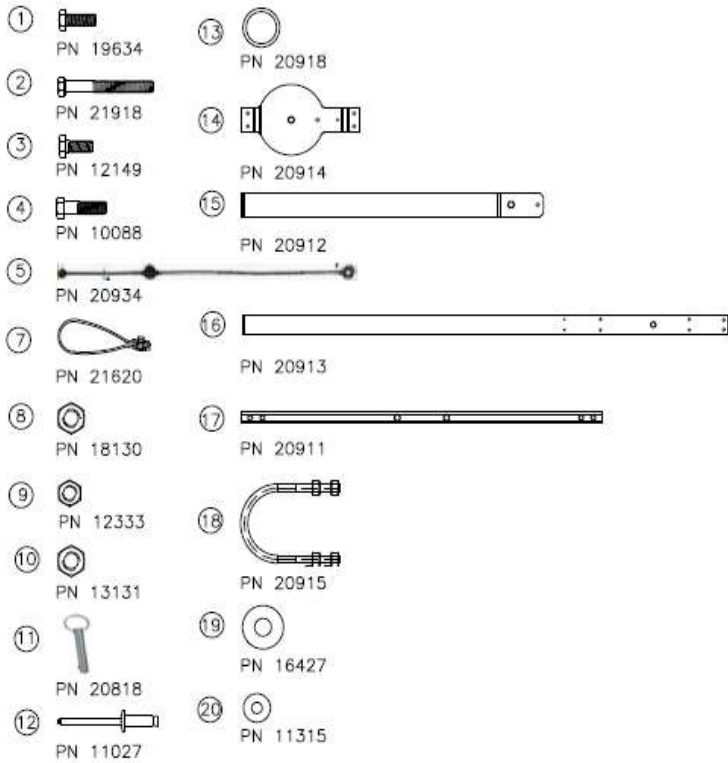
HIGHRISE™ FRONT ASSEMBLY



REV B Item #	PART #	QTY PER UNIT	DESCRIPTION	PRICE EACH
1	10889	1	BRACKET- CABLE ANCHOR TUFWAY	
2	10511	1	BRACKET- SPRING ANCHOR TUFWAY	
3	10888	1	CLOSURE ASSY- TUFWAY DOOR	
4	20803	1	DOOR- HIGH RISE LOWER PBLU	
5	15708	3	HINGE- DOOR STNLS HEAVY NARROW	
6	14803	1	PLUG- 3/8 HOLE	
7*	11270	6	RIVET- #68 STNLS	
8*	11315	6	WASHER- 3/16 RIVET STNLS	
9	17168	1	KIT- MX3 LATCH REPLACEMENT	

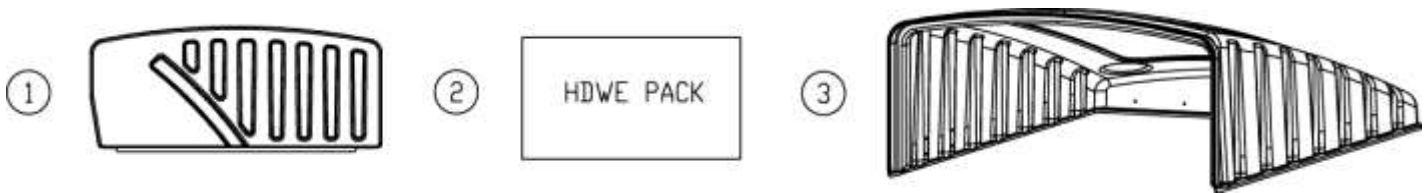
ONLY SOLD IN MULTIPLES OF 100

HIGHRISE™ LIFT KIT



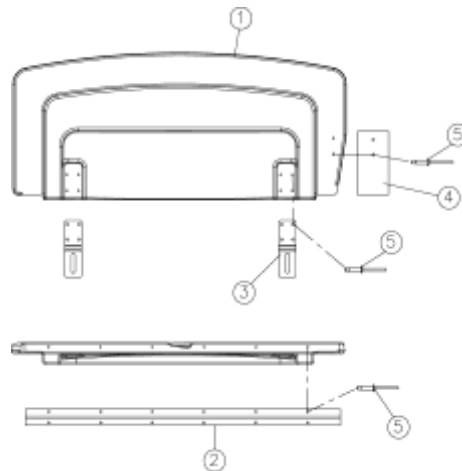
REV E ITEM #	PART#	QTY PER UNIT	DESCRIPTION	PRICE EACH
	20856	1	KIT- HIGH RISE LIFT	
1	19634	12	BOLT- 3/8-16 X 1 GR8 PLTD	
2	21918	4	BOLT- 3/8-16 X 3 GR5 PLTD	
3*	12149	8	BOLT- 5/16-18 X 3/4 HXHD GR5	
4*	10088	2	BOLT- 1/2-13 X 1-1/4 GR8 PLTD	
5	20934	2	CABLE- RING PIN NYLON U-LOCK	
6*	20963	1	INSTRUCTION- HIGH RISE LIFT	
7	21620	1	KIT- NAME PLATE HIGH RISE LIFT	
8	18130	4	NUT- 1/2-13 NC NYLOC	
9*	12333	16	NUT- 3/8 NC NYLOC	
10*	13131	8	NUT- 5/16 NYLOC	
11	20818	2	RING PIN- 3/8 X 1in STNLS	
12	11027	2	RIVET- #66 ALUM	
13	20918	2	SPACER- HIGH RISE .5 ID X 3/8	
14	20914	2	STANDOFF- HIGH RISE LIFT	
15	20912	2	STRAP- HIGH RISE PIVOT	
16	20913	2	STRAP- HIGH RISE LIFT SIDE	
17	20911	1	TUBE- HIGH RISE CROSS LIFT	
18	20915	1	U-BOLT- HIGH RISE LIFT	
19*	16427	2	WASHER- 1/2 FLAT	
20*	11315	2	WASHER- 3/16 RIVET STNLS	

HIGHRISE ROOF™ KIT /UPPER DOOR



REV A ITEM #	PART#	QTY PER UNIT	DESCRIPTION	PRICE EACH
	20855	1	KIT- HIGH RISE ROOF/UPPER DOOR	
1	20928	1	DOOR ASSY- HIGH RISE UPPR PBLU	
2	20820	1	HDWE- HIGH RISE ROOF/DOOR	
	20826	2	BRACKET- HIGH RISE ROOF	
	20887	1	HINGE- 26in PIANO	
	20825	2	PLATE- HIGH RISE ROOF	
	20827	2	SWIVEL- HIGH RISE STAPLE	
	17436	16	RIVET- AVDEL SILVER	
	11027	28	RIVET- #66 ALUM	
	11315	28	WASHER- 3/16 RIVET STNLS	
3	20819	1	ROOF- HIGH RISE	

HIGHRISE™ UPPER DOOR KIT



REV A ITEM #	PART#	QTY PER UNIT	DESCRIPTION	PRICE EACH
1	20823	1	DOOR- HIGH RISE UPPER PBLU	
2	20821	1	HINGE- 30in PIANO	
3	20824	2	PLATE- HIGH RISE DOOR UPPER	
4	20929	1	PLATE- PEEK SHIELD BLACK	
5*	17436	16	RIVET- AVDEL SILVER	